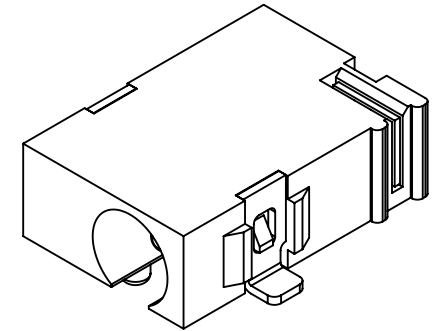
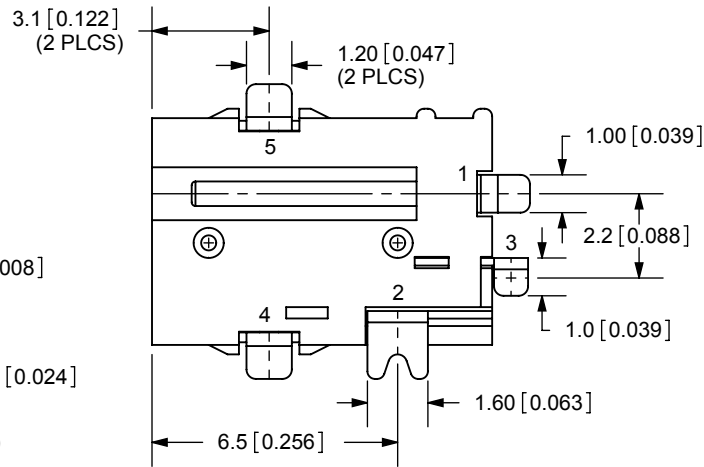
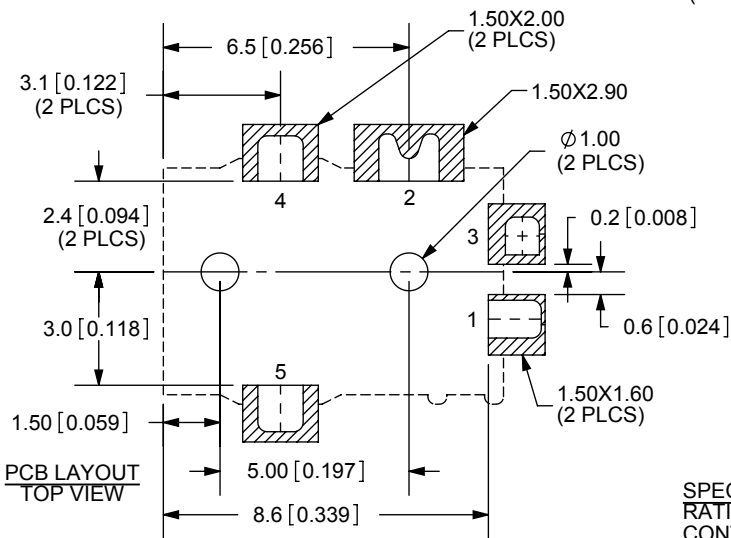
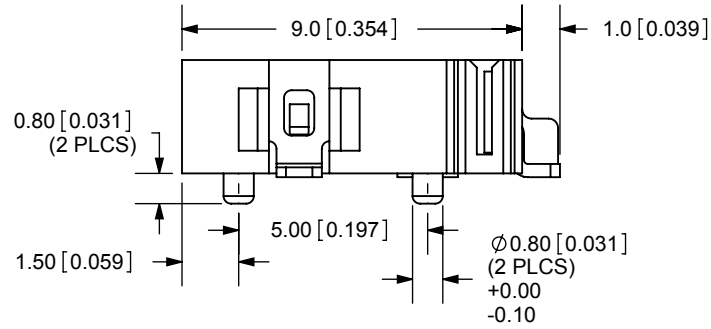
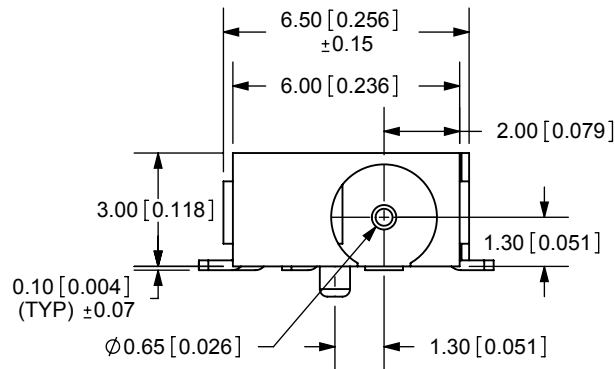


REV.	DESCRIPTION	DATE
A	NEW DRAWING	2/2/2007



TOLERANCE:
 X.X ±0.2mm
 X.XX ±0.1mm
 X.XXX ±0.05mm



SPECIFICATIONS:
 RATING: 16V DC @ 1A
 CONTACT RESISTANCE: 50m OHMS MAX
 INSULATION RESISTANCE: 100M OHMS MIN: 500V DC
 VOLTAGE WITHSTAND: 500V AC R.M.S. FOR 1 MINUTE
 LIFE: 5,000 CYCLES

MODEL NO.	PJ-034-SMT
SCHEMATIC	

CENTER PIN DIAMETER 0.65mm Dia.

	MATERIAL	PLATING
TERMINAL 1	Brass	Nickel
TERMINAL 2	Copper Alloy	Gold Flash
TERMINAL 3	Brass	Gold Flash
SUPPORT 4,5	Brass	Silver
STOPPER	Brass	Silver
BODY	PA6T	



20050 SW 112th Ave.
 Tualatin, OR 97062
 Phone: 503-612-2300
 800-275-4899
 Fax: 503-612-2383
 Website: www.cui.com

TITLE:	0.65mm SURFACE MOUNT POWER JACK	REV:	A
PART NO.	PJ-034-SMT	UNITS:	MM [INCHES]
DRAWN BY:	ZRJ	APPROVED BY:	
		SCALE:	5:1

PC FILE NAME:
PJ-034-SMT

COPYRIGHT 2007 BY CUI INC.